

### Remarks

Claim 1, 14, 19, and 22 have been amended. Accordingly, claims 1-22 remain in the application and are presented for further prosecution.

The Examiner objects to the drawings. Figure 1 has been amended to show reference numeral 26. Figure 3 has been amended to show reference numeral 10. Reference numeral 16 in Figure 3 has been changed to reference numeral 26. In view of the amendments to the drawings, Applicant respectfully requests withdrawal of the objections to the drawings.

Claims 1-10 and 14-17 are rejected as being anticipated by Russell (U.S. Patent No. 1,272,115) and Claim 22 is rejected as being obvious over Russell. Claims 1, 14 and 22 recite "a door guide." A door guide is defined in the specification as a structure in which an overhead door travels vertically up and down. See specification, page 1. As described, the door guide provides a track for a vertical door to move in. Russell does not disclose a door guide. Russell describes a striker plate attached to the door itself. See, e.g., Figure 2 and corresponding description in the specification showing that the parts are assembled on the door jamb. Russell does not disclose a door guide as defined in the specification, and further does not disclose a striker plate affixed to a door guide.

Furthermore, claims 1, 14, and 22 recite a striker plate affixed directly to the door guide. Russell discloses a top plate 6 attached to an intermediate plate 5. The intermediate plate 5 is then attached to the door. Accordingly, even if Russell did disclose a door guide, it would still require an intermediate plate to which the striker plate is attached. The present invention permits the direct affixation of the striker plate to the door guide without requiring an intermediate plate. As such, claims 1, 14 and 22 are patentably distinguishable from Russell. Claims 2-13 and 15-18 depend either directly or indirectly from on of these independent claims and contain additional features that patentably distinguish the claims from the cited references.

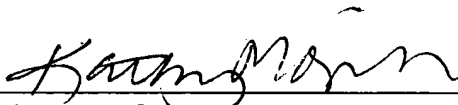
Claims 19-21 are rejected as being obvious over Russell in view of Roth (U.S. Patent No. 5,757,269). Claim 19, as amended, recites a door guide having an inner surface and an outer surface wherein the striker plate is attached to the inner surface and the security device extends out of the outer surface. Neither Russell nor Roth disclose this feature. As stated in the Office Action, Russell does not disclose a security device. Roth discloses the security device installed

within the recess in the door jamb. Roth does not disclose a door guide opening extending from the inner surface to the outer surface. Furthermore, Roth does not disclose a security device extending out of the outer surface of the door guide. Roth's security device is fully enclosed by the housing of the object in which it is installed and the opening of the object does not extend from the inner surface to the outer surface. As a result of the configuration in Roth, the alignment of the openings in the Roth device is easier in view of the fact that the security device is fully encased in the "recess" in which the striker plate is affixed. In the present invention, the latch receiving slot of the security device must be aligned with the opening in the striker plate and the recess, and the claimed invention can accommodate the alignment of all three identified elements. Accordingly, claim 19 is patentably distinguishable over Russell and Roth. Claims 20 and 21 depend from claim 19 and contain additional features that patentably distinguish the invention over the cited references.

In view of the foregoing amendments and remarks, it is believed that the pending claims are in condition for allowance. If the Examiner believes that a telephone conference will expedite the prosecution of this application, he is invited to contact the Applicant's attorney at the telephone number provided below.

Respectfully submitted,

4/30/03  
Date

  
\_\_\_\_\_  
KATHY MOJIBI  
Reg. No. 41,409

JEFFER, MANGELS, BUTLER & MARMARO LLP  
Seventh Floor  
1900 Avenue of the Stars  
Los Angeles, CA 90067  
Tel: (310) 203-8080

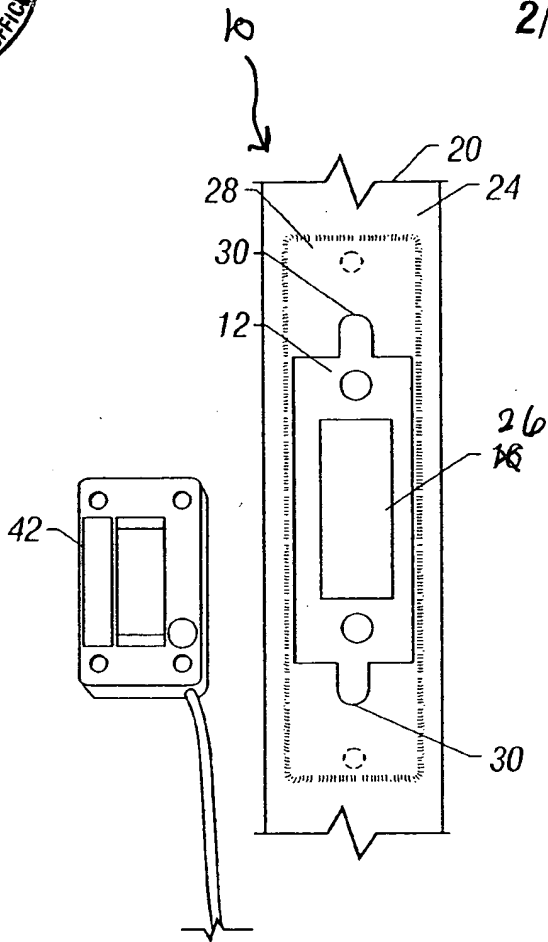


FIG. 3

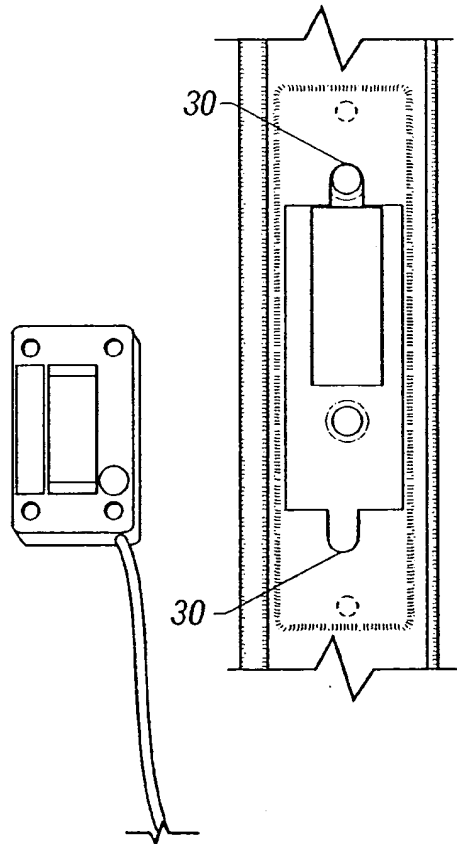


FIG. 4